

Last Updated:  
 23.11.2016

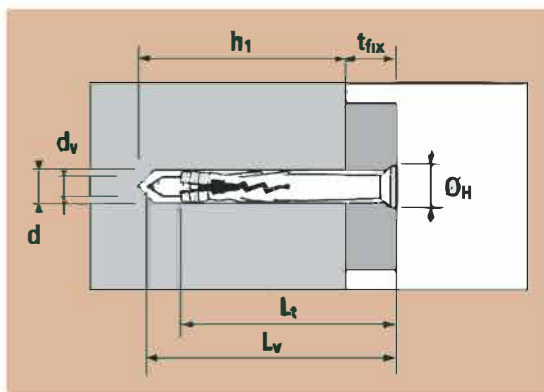
**Nylon Hammerscrew Countersunk BZP**  
 Product Code: Various (see table)

Page 1 of 2

Hammer-in plug with a pre-assembled countersunk flat-head screw, POZI drive.  
 Available with a countersunk collar (various sizes) and a Pan Head collar (6 x40mm only) - see tables


**Base material**

specific use
concrete
stone
solid brick



- $d_0$  = plug diameter = hole diameter
- $L_t$  = plug length
- $h_1$  = minimum hole depth
- $h_{nom}$  = overall embedment depth
- $h_{ef}$  = effective anchorage depth
- $t_{fix}$  = fixable thickness
- $d_v$  = screw diameter
- $L_v$  = screw length
- $\varnothing_H$  = head diameter

$$h_{nom} = h_{ef}$$

**FFX Nylon Hammerscrew grey**  
 with a countersunk collar and a countersunk nail-screw,  
 white-zinc plated



Product Code.	$d_0$ mm	$L_t$ mm	$h_1$ mm	$h_{nom}$ mm	$d_v$ mm	$L_v$ mm	screw POZI n.	$\varnothing_H$ mm	$t_{fix}$ mm
HH0101200010	5	27	25	22	3.5	32	2	9.1	5
HH0101200020	6	32	30	27	3.8	37	2	10.0	5
HH0101200040		55				60			25
HH0101200050		67	72			37			
HH0101200060	8	60	40	35	4.8	65	3	12.2	25
HH0101200070		75				80			40
HH0101200080		100				105			65
HH0101200090		120				125			85
HH0101200100		135				140			100

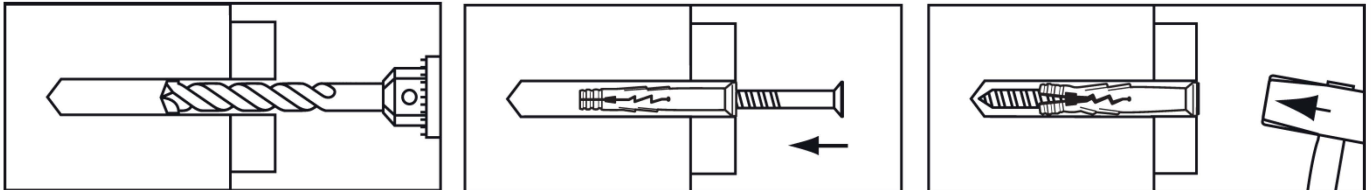
Last Updated:  
 07.11.2016

**Nylon Hammerscrew Countersunk BZP**  
 Product Code: Various (see table)

Page 2 of 2

**FFX Nylon Hammerscrew grey**  
 with a pan head collar and a countersunk nail-screw, white-zinc plated


Product Code	d <sub>0</sub> mm	L <sub>t</sub> mm	h <sub>1</sub> mm	h <sub>nom</sub> mm	d <sub>v</sub> mm	L <sub>v</sub> mm	screw POZI n.	Ø <sub>H</sub> mm	t <sub>fix</sub> mm
HH0101200030	6	40	30	27	3.8	45	2	13.9	10

**Installation**

**Materials**

Part	Material	Coating
Plug	polyamide (Nylon) grey RAL 7035 or dark brown RAL 8017	-
Nail-screw	steel	zinc ≥ 5 µm ISO 4042

**Strength data**

in concrete class C20/25, expressed in KN

**Characteristic resistance**

Size		Ø 5 mm	Ø 6 mm	Ø 8 mm
Tension	N <sub>Rk</sub>	0.90	1.50	2.10

Appropriate safety factor is recommended (4 / 5).

Characteristic resistances derive from tests conducted in our European laboratories according to international guidelines. Load values are valid only if installation is performed accurately. Designer is responsible for the choice of size and number of anchors.

**Recommended load**

Size		Ø 5 mm	Ø 6 mm	Ø 8 mm
Tension	N <sub>Rk</sub>	0.16	0.27	0.38

Recommended loads include the above mentioned partial safety factor of 4 and the further safety factor 1.4.

