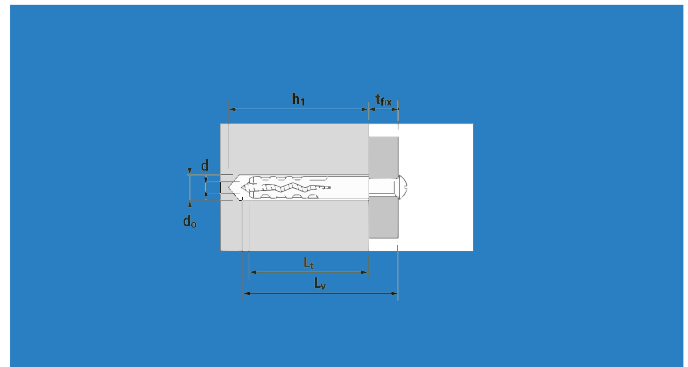


## NYLON PLUG WITHOUT COLLAR



### CALCULATION OF SCREW LENGTH

$$L_v = L_t + t_{fix}$$

$h_1$  = Minimum hole depth

$L_t$  = Anchor length

$L_v$  = Screw length

$d_o$  = Hole diameter

$d$  = Screw diameter

$t_{fix}$  = Fixable thickness



**FFX NYLON PLUG** is suitable for fastening average loads to the main construction materials.

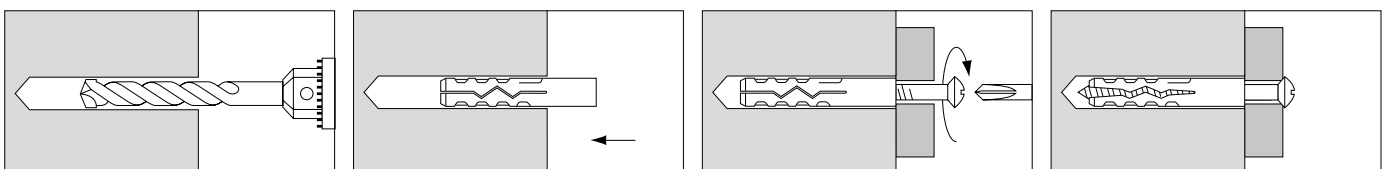
- The innovative “S” slot prevents the lateral sliding of the screw, guaranteeing excellent results on all materials, including **hollow bricks**.
- The internal guide is designed to a correct central expansion.
- It has strong anti-rotation flaps and special shaped design to adapt perfectly on the main construction materials.
- The collar version enables the blockage on wall surface.

### Application

Suited for solid and semisolid supports, even **hollow bricks**.

### Material

POLYAMIDE (Nylon) - Colour: grey RAL 7035.





### Technical data

art	desc	L <sub>t</sub> mm	d <sub>o</sub> mm	h <sub>1</sub> mm	vite/screw d mm
without collar	without collar				
HH0100800010	<b>M6</b>	30	6	40	4 / 5
HH0100800020	<b>M7</b>	30	7	40	4 / 5.5
HH0100800030	<b>M8</b>	40	8	50	4.5 / 6
HH0100800040	<b>M10</b>	50	10	70	6 / 8
HH0100800050	<b>M12</b>	60	12	70	8 / 10
HH0100800060	<b>M14</b>	80	14	90	10 / 12

### Pull out values in KN with a screw with the maximum permitted diameter

desc	concrete Rc250*	brick	hollow brick
without collar			
<b>M6</b>	2.4 KN	1.5 KN	0.6 KN
<b>M7</b>	2.8 KN	1.7 KN	0.6 KN
<b>M8</b>	3.6 KN	2.0 KN	0.8 KN
<b>M10</b>	7.2 KN	2.8 KN	0.8 KN
<b>M12</b>	8.8 KN	3.3 KN	0.8 KN
<b>M14</b>	15.2 KN	4.0 KN	1.0 KN

\*Rc 250 ≥ 25 N/mm<sup>2</sup>

. Use an appropriate safety factor of (4 / 5).